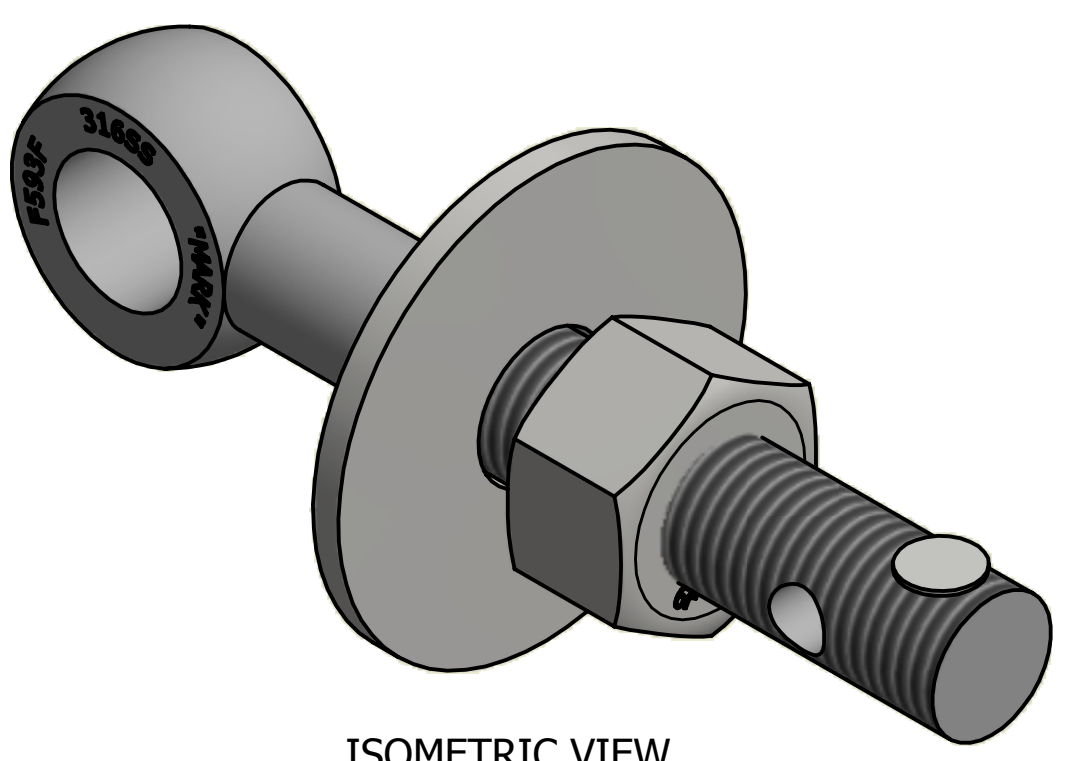
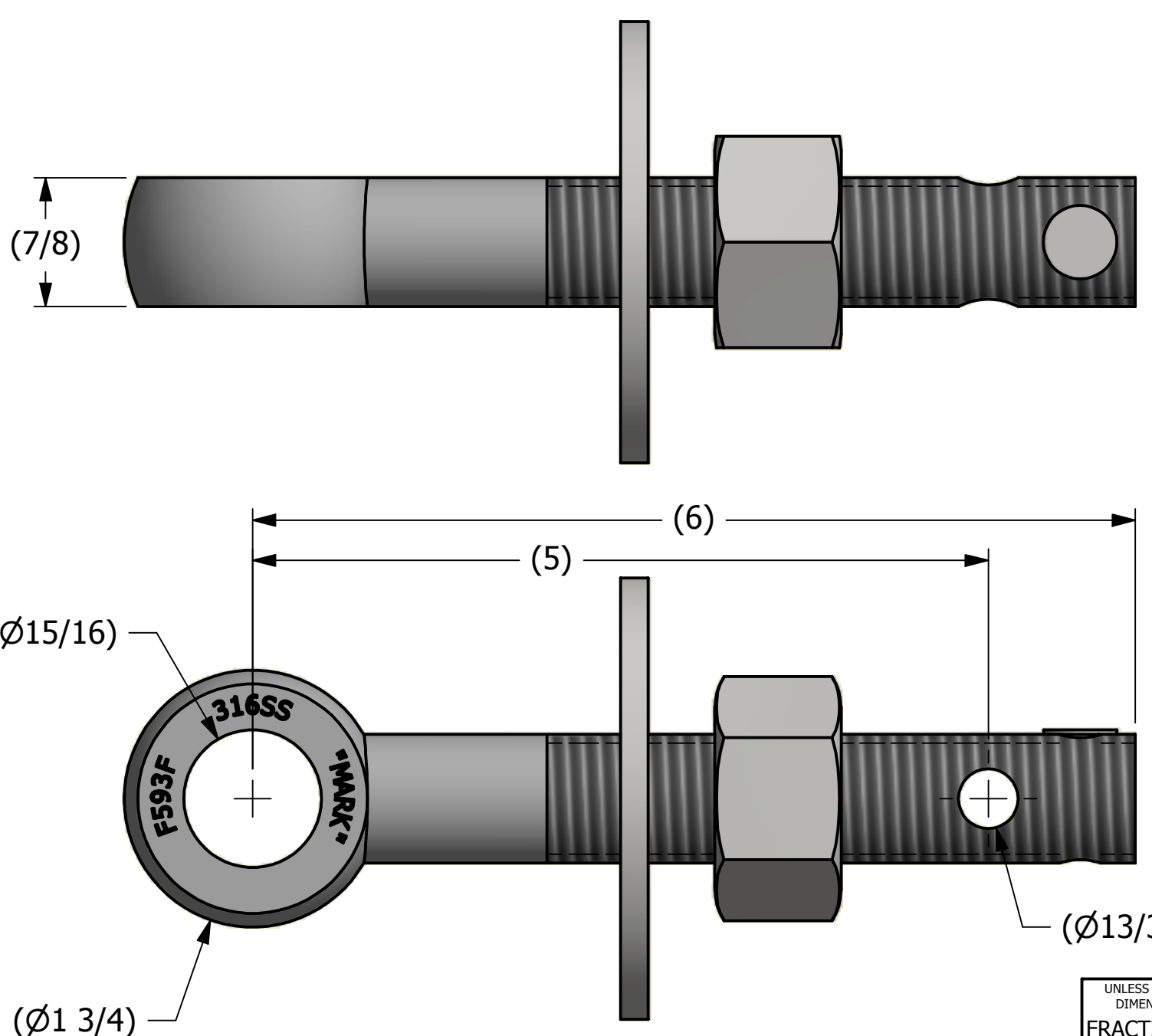


SALES DRAWING

SALES DRAWING



UNLESS OTHERWISE SPECIFIED
DIMENSIONAL TOLERANCES

FRACTIONAL: ±1/16
X.XX: ±.03
X.XXX: ±.015
ANGULAR: ±1°

DEBURR ALL SHARP EDGES.
ALL MACHINED SURFACES TO
HAVE A 125 RMS FINISH UNLESS
NOTED OTHERWISE.

THIRD ANGLE PROJECTION

DRAWN BY:	CHL
CHECKED BY:	VD
PROTOTYPE BY:	CHL
PROTOTYPE DATE:	3/25/2011
APPROVED FOR PRODUCTION BY:	VD
PRODUCTION DATE:	7/6/2011

A	CHL	7-6-11	DRAWING ADDED TO NETWORK	
REV	BY	DATE	DESCRIPTION	
SALCO PRODUCTS, INC.				
PART NAME: EYEBOLT ASSEMBLY 7/8"X6"				
MATERIAL: SS				
PROJECT #: 110327		SHEET #: 1 OF 1		SCALE: 1:1
DRAWING #: B30497		PART #: EB786XH9AS6		

THIS PRINT, PROPERTY OF SALCO PRODUCTS INC., CONTAINS PROPRIETARY INFORMATION AND MUST NOT BE COPIED, REPRODUCED, OR USED DETRIMENTALLY TO OUR INTEREST.